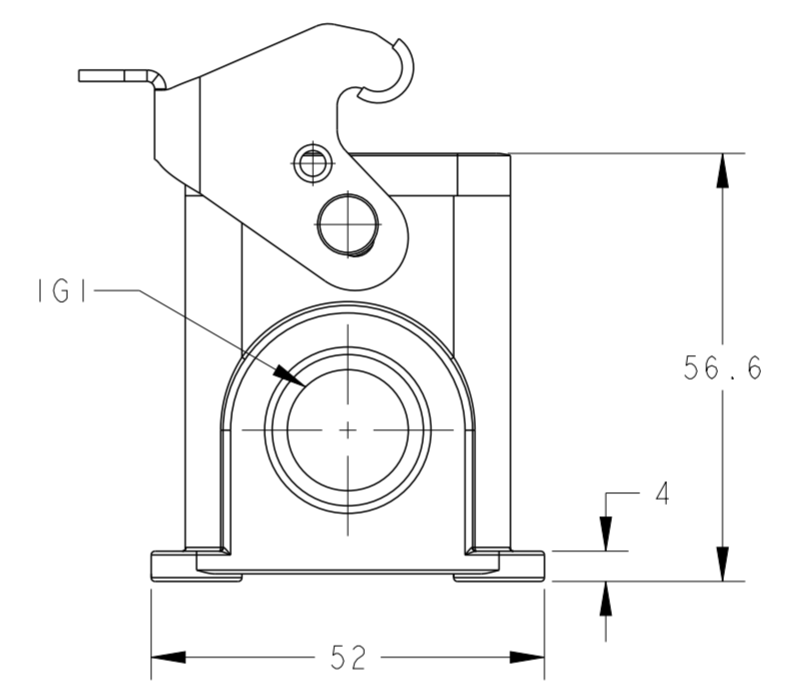
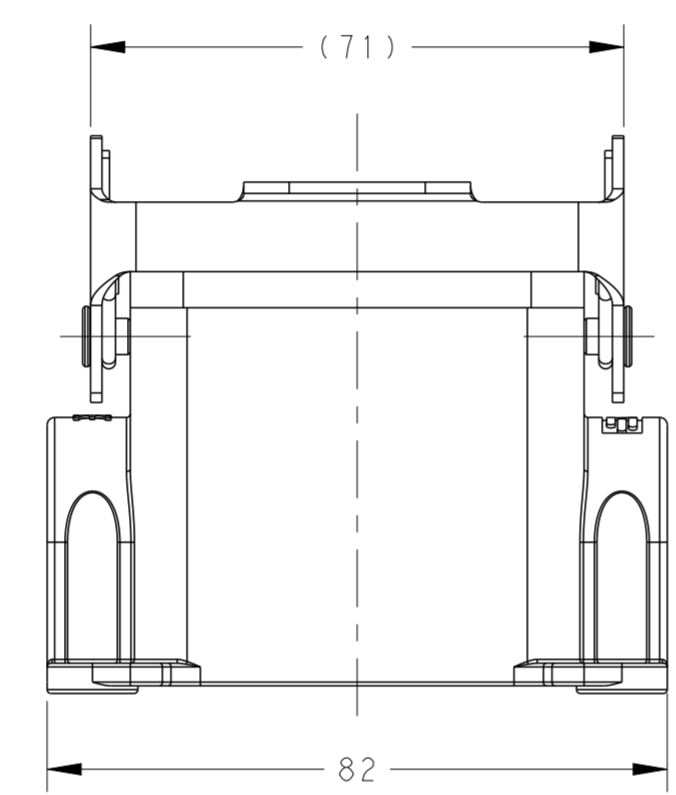
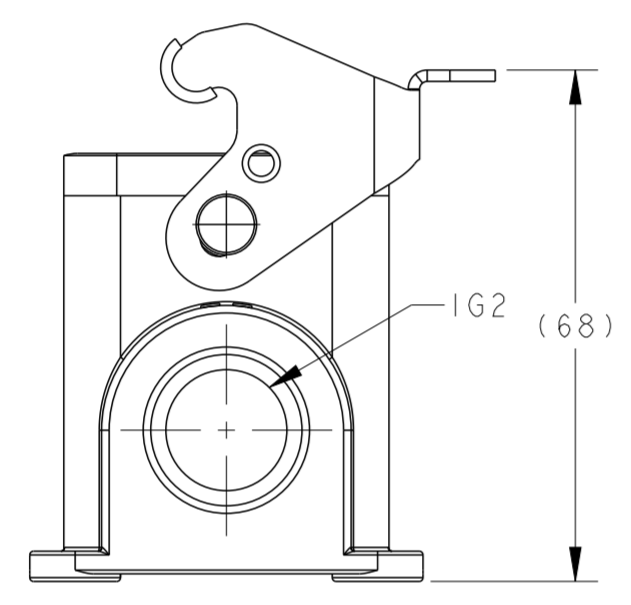
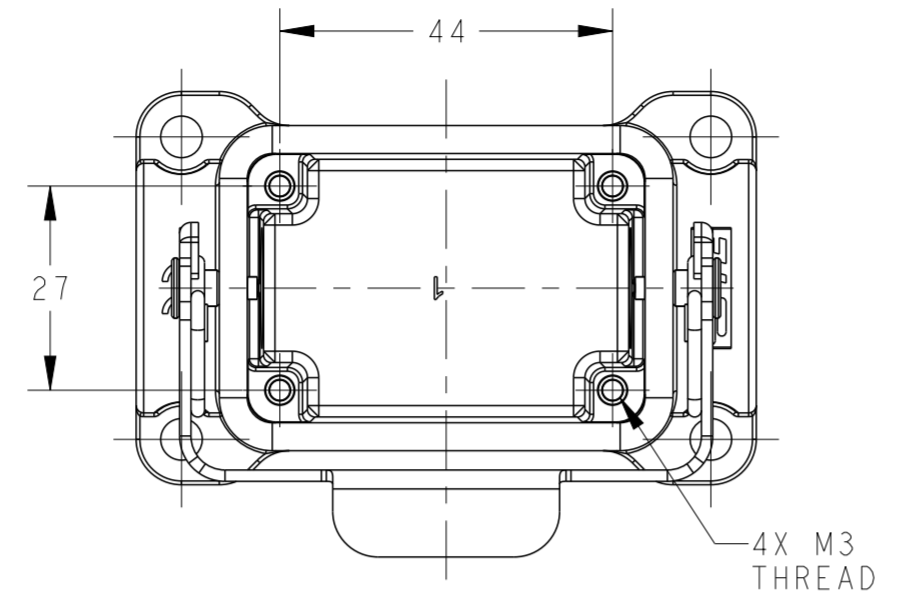


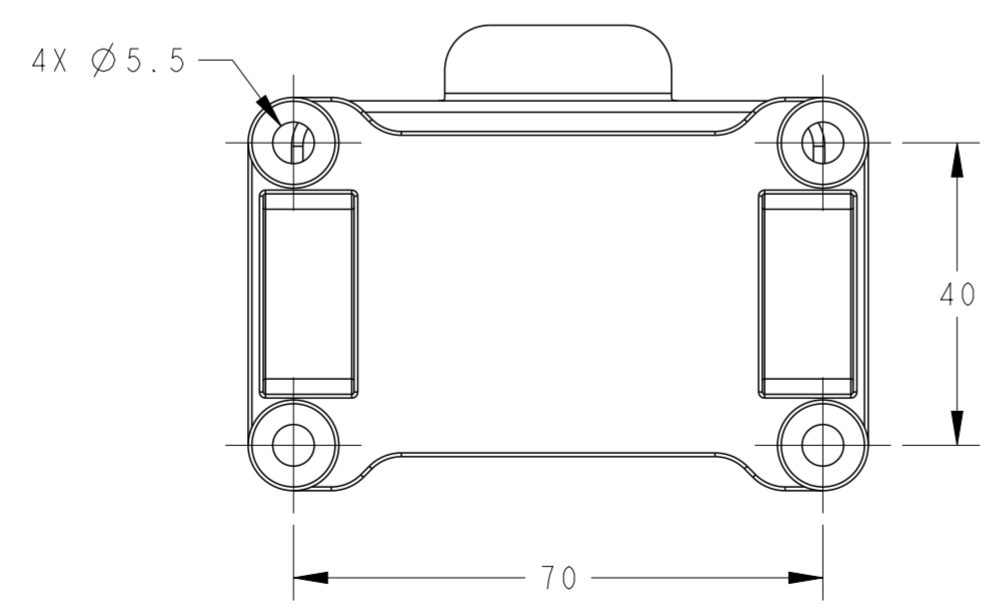
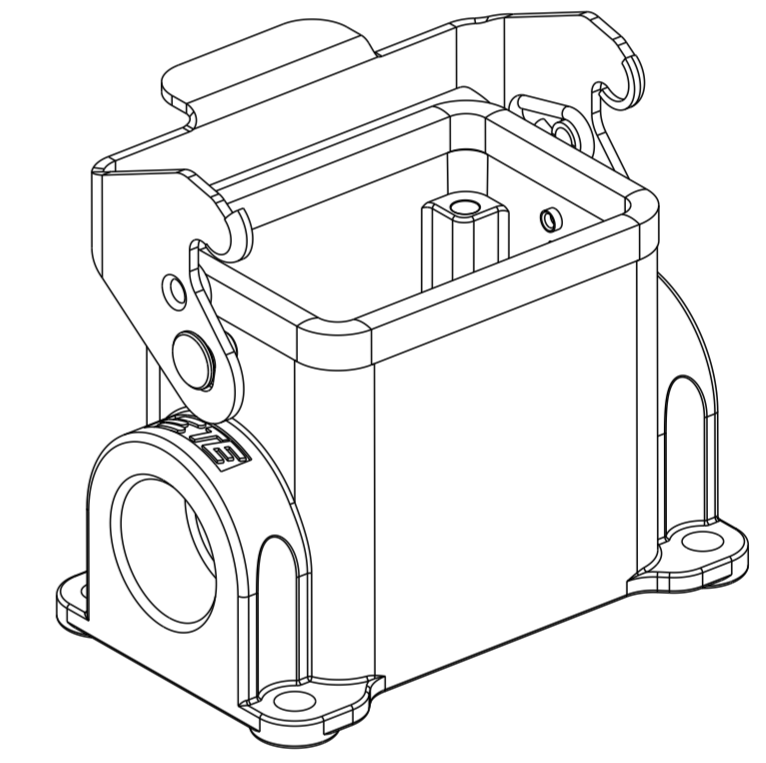
THIS DRAWING IS UNPUBLISHED. RELEASED FOR PUBLICATION 20
 © COPYRIGHT 20 BY - ALL RIGHTS RESERVED.

| REVISIONS | | | | |
|-----------|-----|---------------|-----------|--------|
| P | LTR | DESCRIPTION | DATE | APVD |
| A | | INITIAL | 23JUN2015 | DW CW |
| B | | ECR-20-007968 | 12JUN2020 | WOR CW |



NOTES:
 1. TECHNICAL CHARACTERISTICS:
 HOUSING MATERIAL: DIE CAST ALUMINIUM ALLOY
 SURFACE: POWDER COATED, GREY
 DEGREE OF PROTECTION: IP65 (MATED)

注释:
 1. 技术参数:
 下壳材料: 铝合金
 表面处理: 粉末涂层, 灰色
 防护等级: IP65(配合)



| | | | |
|-----------------|------------------|-------------|---------|
| T1610063113-000 | H6B-SGR-PG13.5 | PG13.5 | - |
| T1610063116-000 | H6B-SGR-PG16 | PG16 | - |
| T1610063120-000 | H6B-SGR-M20 | M20 | - |
| T1610063121-000 | H6B-SGR-PG21 | PG21 | - |
| T1610063125-000 | H6B-SGR-M25 | M25 | - |
| T1610063216-000 | H6B-SGR-2PG16 | PG16 | PG16 |
| T1610063220-000 | H6B-SGR-2M20 | M20 | M20 |
| T1610063225-000 | H6B-SGR-2M25 | M25 | M25 |
| T1610062516-000 | H6B-SGR-M25/PG16 | M25 | PG16 |
| T1610062520-000 | H6B-SGR-M25/M20 | M25 | M20 |
| | PART NUMBER | DESCRIPTION | IG1 IG2 |

THIS DRAWING IS A CONTROLLED DOCUMENT.

| | | | | |
|-------------|---|-----------------------------|-----------------------------|--------------|
| DIMENSIONS: | TOLERANCES UNLESS OTHERWISE SPECIFIED: | DWN 23JUN2015 David Wang | STE TE Connectivity | |
| mm | 0 PLC ± 1 PLC ± 2 PLC ± 3 PLC ± 4 PLC ± ANGLES ± FINISH | CHK 23JUN2015 Chris Wang | | |
| MATERIAL | - | APVD 23JUN2015 Xiang Xu | NAME H6B-SGR-M/PG | |
| | | PRODUCT SPEC 108-137013 | SIZE | CAGE CODE |
| | | APPLICATION SPEC 114-137013 | A2 | 00779 |
| | | WEIGHT - | DRAWING NO C-T161006XXXX000 | |
| | | Customer Drawing | SCALE 1:1 | SHEET 1 OF 1 |
| | | | RESTRICTED TO | REV B |