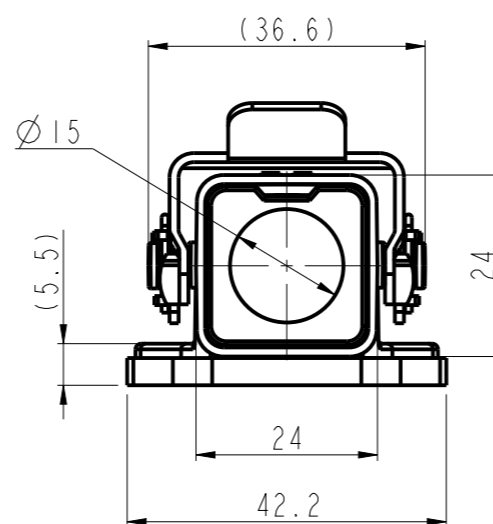
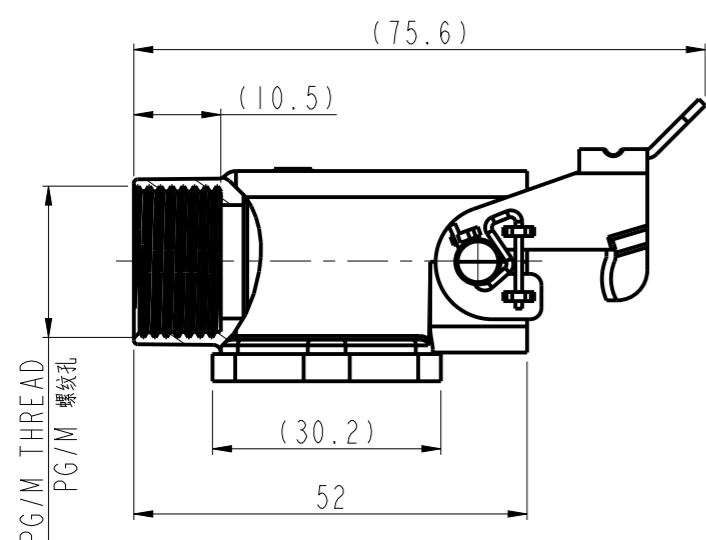
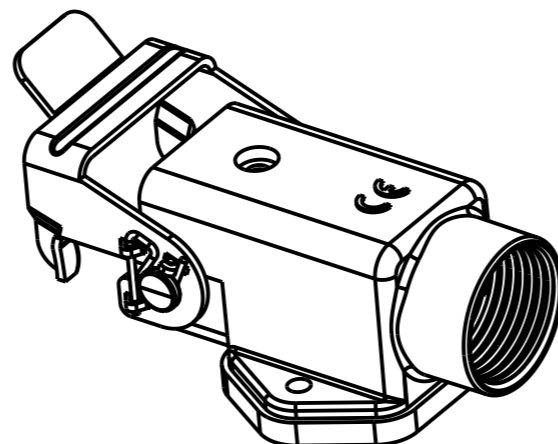
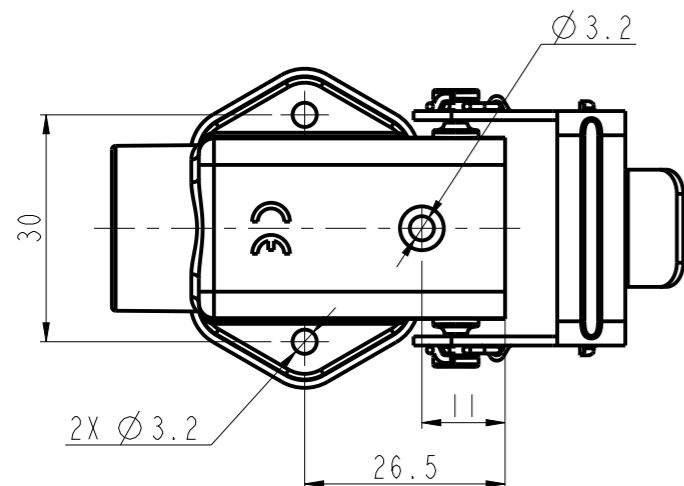


REVISIONS

P	LTR	DESCRIPTION	DATE	DWN	APVD
	A	INITIAL	25NOV2017	QY	CW
	B	ECR-20-007782	24NOV2020	BS	CW

NOTES:  
 1. TECHNICAL CHARACTERISTICS:  
 BODY MATERIAL: DIE CAST ZINC ALLOY  
 SURFACE TREATMENT: POWDER COATED, DEEP GRAY  
 DEGREE OF PROTECTION: IP65 (MATED)

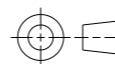
注释:  
 1. 技术参数:  
 主体材料: 锌合金  
 表面处理: 深灰色粉末喷涂  
 防护等级: IP65(配合)



T1619030111-001	H3A-MAGSV-PG11	H3A HOUSING, SURFACE MOUNTED, METAL SINGLE LOCKING, PG11, POWDER COATED, DEEP GREY H3A下壳, 表面安装, 金属单扣, PG11, 深灰色粉末喷涂	PG11
T1619030116-001	H3A-MAGSV-M16	H3A HOUSING, SURFACE MOUNTED, METAL SINGLE LOCKING, M16, POWDER COATED, DEEP GREY H3A下壳, 表面安装, 金属单扣, M16, 深灰色粉末喷涂	M16X1.5
T1619030120-001	H3A-MAGSV-M20	H3A HOUSING, SURFACE MOUNTED, METAL SINGLE LOCKING, M20, POWDER COATED, DEEP GREY H3A下壳, 表面安装, 金属单扣, M20, 深灰色粉末喷涂	M20X1.5
PART NUMBER 料号	PART DESCRIPTION 描述		PG/M THREAD PG/M 螺纹孔

THIS DRAWING IS A CONTROLLED DOCUMENT.

DIMENSIONS:  
mm



TOLERANCES UNLESS OTHERWISE SPECIFIED:

0 PLC	±-
1 PLC	±-
2 PLC	±-
3 PLC	±-
4 PLC	±-
ANGLES	- ±

MATERIAL

FINISH

DWN 25NOV2017  
 QIANG YUAN  
 CHK 25NOV2017  
 GINO YAO  
 APVD 25NOV2017  
 CHRIS WANG

PRODUCT SPEC  
108-137012

APPLICATION SPEC  
114-137012

WEIGHT -

CUSTOMER DRAWING



TE Connectivity

NAME  
H3A-MAGSV-PG/M

SIZE A3 CAGE CODE 00779 DRAWING NO. C-T16190301XX001 RESTRICTED TO

SCALE 1:1 SHEET 1 OF 1 REV B